



Copyright FCI.

A

B

C

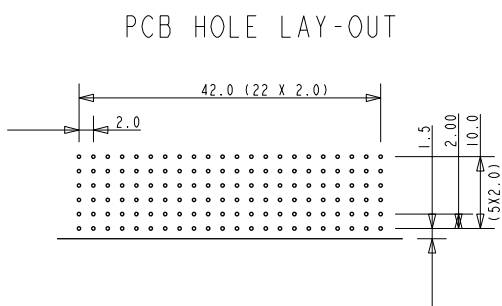
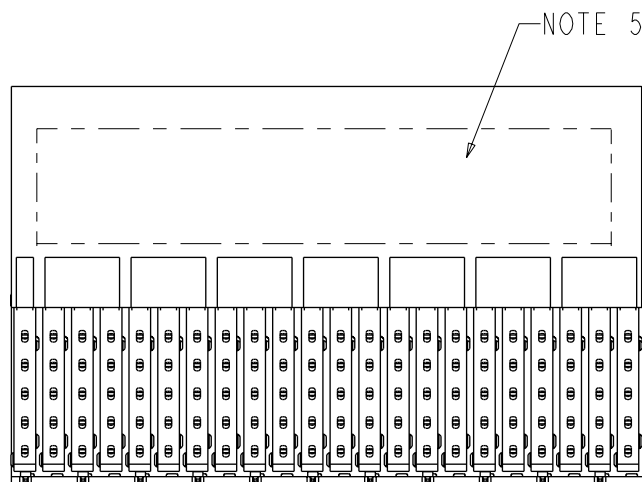
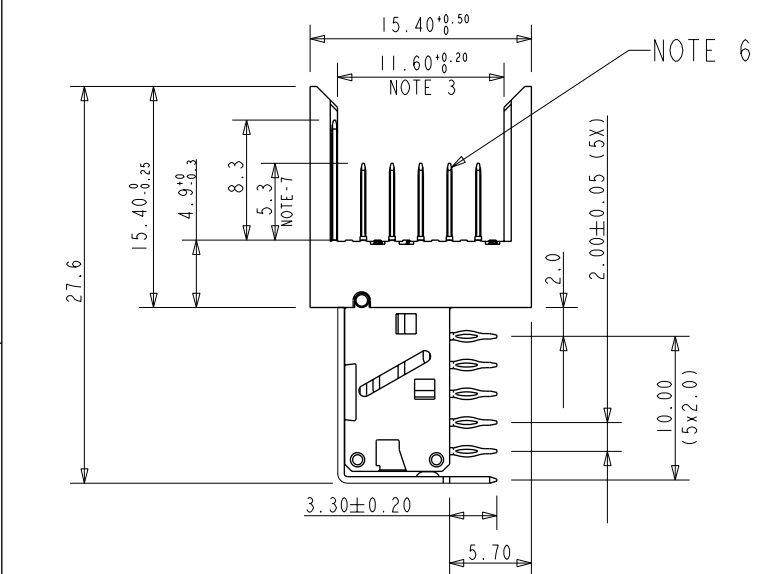
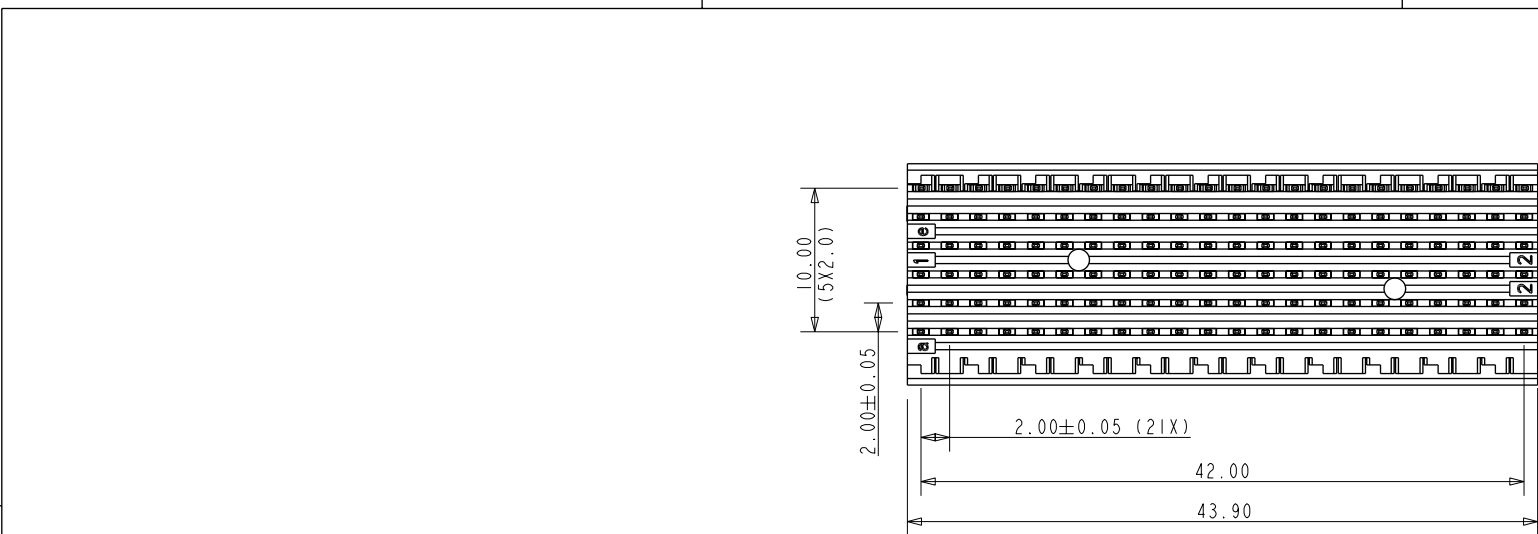
D

A

B

C

D



PERFORMANCE CHARACTERISTICS :

CURRENT RATING : 1.5A AT 20°C (FULLY LOADED)  
 1A AT 70°C (FULLY LOADED)  
 RATED VOLTAGE : 500V AC (CONT / CONT)  
 OPERATING TEMPERATURE : -55°C TO 125°C  
 CONTACT RESISTANCE : 25mΩ MAX.  
 INSERTION FORCE : 0.75 N MAX / CONT  
 EXTRACTION FORCE : 0.15 N MIN / CONT  
 INSULATION RESISTANCE : 10<sup>4</sup>MΩ MIN.

NOTES :

- CSA CERTIFIED, FILE NUMBER LR 44961-51.
- UL APPROVED, FILE NUMBER E31151.
- MEASURED AT THE BOTTOM.
- MATERIAL CONTACT : PHOSPHORBRONZE.  
HOUSING : LCP 30% GLASS-FILLED.
- CONNECTOR PRINTED WITH P/N AND DATE CODES.
- FOR ACTUAL CONTACT LOADINGS, SEE LOADING PATTERN MATING SIDE.)
- 4 = LEVEL 1 (5.30)  
5 = LEVEL 2 (6.80)  
6 = LEVEL 3 (8.30)
- LEAD FREE INDICATOR : LF = LEAD FREE
- 'HM2J70PE5118' PERFORMANCE LEVEL INDICATOR (Ref DWG No BS,C ,201844,003)
- FOR RECOMMENDED PTH DIMENSIONS REFER DRAWING : BS,A ,201572,001
- THIS PRODUCT (LF) MEETS EUROPEAN UNION DIRECTIVES AND OTHER COUNTRY REGULATIONS AS DESCRIBED IN GS-22-008

www.fciconnect.com			surface - ✓ ISO 1302	tolerance std ISO 406 ISO 1101	projection mm	TOLERANCES UNLESS OTHERWISE SPECIFIED	
Dr	M.Fret	2000-09-29	ANGULAR	0.X	±0.2	size A3	Scale 1/1
Eng	M.Fret	2000-09-29		LINEAR	0.XX		
Chr	Alex Babu	2008-04-24	0° ±1°	0.XXX	±0.05	ECN	108-0050
Appr	Alex Babu	2008-04-24	Product family	MILLIPACS	Spec ref	-	
FCI			title MPACS RA HDR		dwg no	BSC202767014	Rev.
			type B (22 POS), shielded		E		
			catalog no		HM2J70PE5118----	CUSTOMER COPY	sheet 1 of 1

rev	ecn no	dr	date
A	CONV R0	GNV	2002-08-28
B	EC B20190	MF	2002-11-21
C	105-0108	AB	2005-06-29
D	106-0107	AB	2006-07-12
E	108-0050	AB	2008-04-24
-	-	-	-
-	-	-	-